

PLEASE CHECK WWW.MOLEX.COM FOR LATEST PART INFORMATION

Part Number: [0877030067](#)
Status: **Active**
Overview: [Serial ATA Combo Plugs and Receptacles](#)
Description: 1.27mm (.050") Pitch Serial ATA Device Plug, 2.5" Drive, without Jumper, 22 Circuits, Tape on Reel Packaging, Lead-free

Documents:

[Drawing \(PDF\)](#) [RoHS Certificate of Compliance \(PDF\)](#)

General

Product Family	PCB Headers
Series	87703
Application	Board-to-Board
Overview	Serial ATA Combo Plugs and Receptacles
Product Name	Serial ATA

Physical

Breakaway	No
Circuits (Loaded)	22
Circuits (maximum)	22
Color - Resin	Black
Durability (mating cycles max)	500
Glow-Wire Compliant	No
Guide to Mating Part	Yes
Keying to Mating Part	Yes
Lock to Mating Part	Yes
Material - Metal	Copper Alloy
Material - Plating Mating	Gold
Material - Plating Termination	Gold
Material - Resin	High Temperature Thermoplastic
Number of Rows	1
Orientation	Right Angle
PC Tail Length (in)	0.079 In
PC Tail Length (mm)	2.00 mm
PCB Locator	Yes
PCB Retention	Yes
PCB Thickness Recommended (in)	0.020 In
PCB Thickness Recommended (mm)	0.50 mm
Packaging Type	Embossed Tape on Reel
Pitch - Mating Interface (in)	0.050 In
Pitch - Mating Interface (mm)	1.27 mm
Plating min: Mating (µin)	5.08
Plating min: Mating (µm)	0.127
Plating min: Termination (µin)	5.08
Plating min: Termination (µm)	0.127
Polarized to Mating Part	Yes
Polarized to PCB	Yes
Shrouded	Partial
Stackable	No
Temperature Range - Operating	-40°C to +105°C
Termination Interface: Style	Surface Mount

Electrical

Current - Maximum per Contact	1.5A
Voltage - Maximum	30V

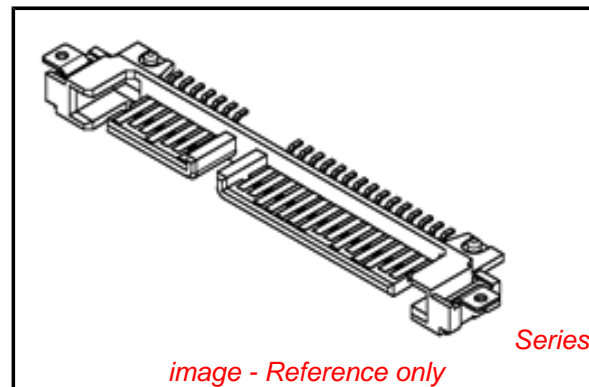


image - Reference only

EU RoHS

ELV and RoHS Compliant
REACH SVHC
Contains SVHC: No
Halogen-Free Status

China RoHS



Need more information on product environmental compliance?

Email productcompliance@molex.com
 For a multiple part number RoHS Certificate of Compliance, [click here](#)

Please visit the [Contact Us](#) section for any non-product compliance questions.

Search Parts in this Series

[87703Series](#)

Mates With

[Combo Receptacle 87678](#). [87701](#). [87713](#). [87779](#). [87780](#). [67492](#). [87781](#). [67489](#) Signal Cable Recptacle. [88755](#) Cable Assembly.

Solder Process Data

Duration at Max. Process Temperature (seconds)	10
Lead-free Process Capability	Reflow Capable (SMT only)
Max. Cycles at Max. Process Temperature	1
Process Temperature max. C	260

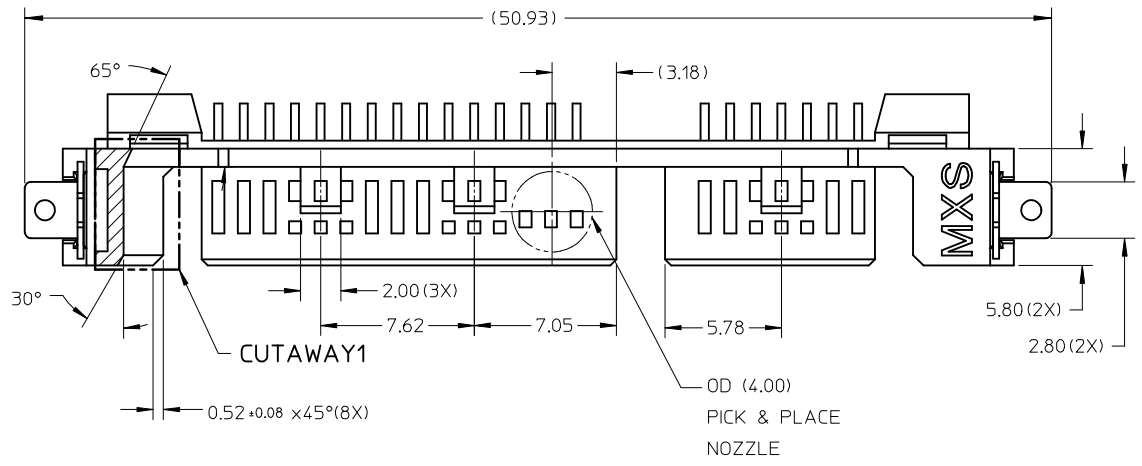
Material Info**Reference - Drawing Numbers**

Sales Drawing	SD-87703-002
---------------	--------------

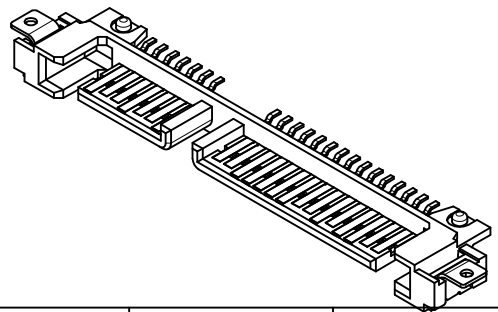
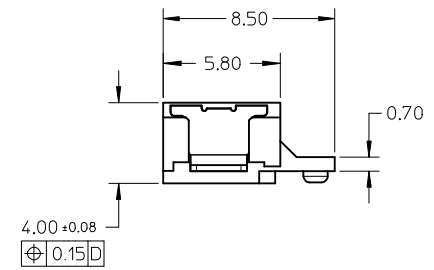
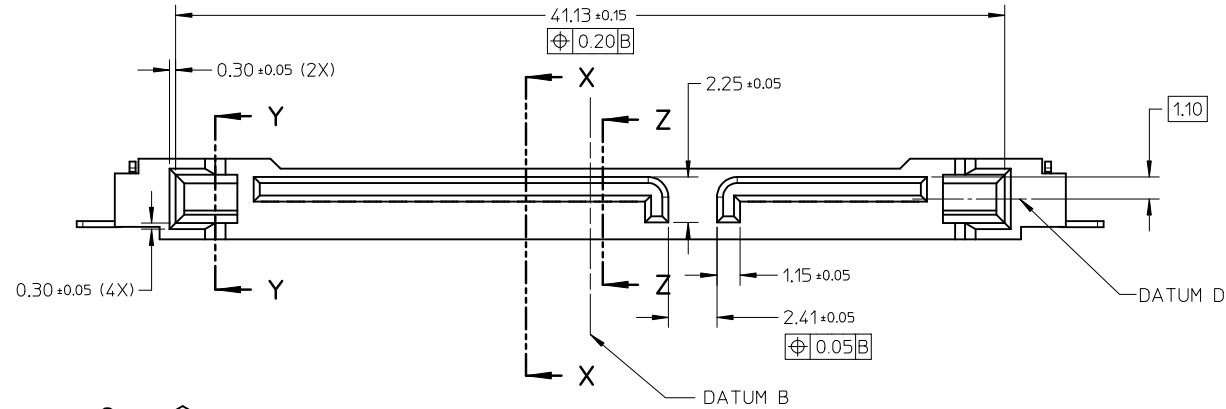
This document was generated on 05/25/2010

PLEASE CHECK WWW.MOLEX.COM FOR LATEST PART INFORMATION

PART NUMBER	PACKAGING
87703-0001	TRAY
87703-0067	TAPE & REEL



- NOTES:
- MATERIAL:
 - HOUSING: LIQUID CRYSTALLINE POLYMER (LCP), GLASS FILLED UL 94V-0, COLOR: BLACK
 - CONTACTS & SMT NAILS: COPPER ALLOY
 - PLATING FINISH ON CONTACTS AND SOLDER TAILS:
 - 0.127µm MIN. GOLD FLASH OVER 1.27µm MIN. NICKEL UNDERPLATE
 - PLATING FINISH ON SMT NAILS:
 - 3.18µm MIN. TIN OVER 1.27µm MIN. NICKEL UNDERPLATE
 - PRODUCT SPECIFICATION: PS-87703-017 APPLIES
 - PRODUCT CONFORMS TO SERIAL ATA SPECIFICATION.
 - PACKAGING: SEE TABLE
 - PRODUCT IS COMPLIANT TO RoHS DIRECTIVE WITH THE FOLLOWING BANNED SUBSTANCES - LEAD, MERCURY, CADMIUM, HEXAVALENT CHROMIUM, POLYBROMINATED BIPHENYLS AND POLYBROMINATED DIPHENYL ETHERS.
 - MATES WITH: SATA RECEPTACLE SERIES: 87678, 87701, 87713, 87779, 87780, 87781
SFF-8482 RECEPTACLE SERIES: 87824, 87839, 87863, 87970



UPDATE NOTE 6 EC NO: S2009-0846 DRW: KHLIM CHKD: CGOH APPR: BOKOK 2009/05/20 2009/05/20 2009/05/20	QUALITY SYMBOLS ▽=0 ◻=0	GENERAL TOLERANCES (UNLESS SPECIFIED)		DIMENSION STYLE		SCALE	DESIGN UNITS	THIRD ANGLE PROJECTION			
				MM ONLY		NTS	METRIC				
				mm	INCH	DRAWN BY		DATE		TITLE	
				4 PLACES	± ---	± ---	RSHAN	2002/11/18		SERIAL ATA PLUG 2.5 INCH HDD	
		3 PLACES	± ---	± ---	CHECKED BY	DATE					
		2 PLACES	± 0.20	± ---	KCL ING	2002/12/18					
		1 PLACE	± ---	± ---	APPROVED BY	DATE					
		ANGULAR ± 3 °		SKTOH		2002/12/18					
		DRAFT WHERE APPLICABLE MUST REMAIN WITHIN DIMENSIONS		MATERIAL NO.		DOCUMENT NO.		SHEET NO.			
				SEE TABLE		SD-87703-002		1 OF 4			
				SIZE		THIS DRAWING CONTAINS INFORMATION THAT IS PROPRIETARY TO MOLEX INCORPORATED AND SHOULD NOT BE USED WITHOUT WRITTEN PERMISSION					
				A3							

10 9 8 7 6 5 4 3 2 1

F

E

D

C

B

A

F

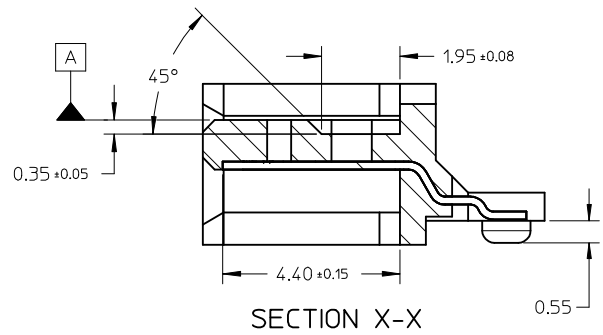
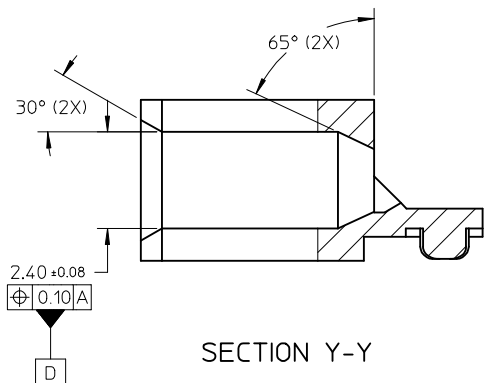
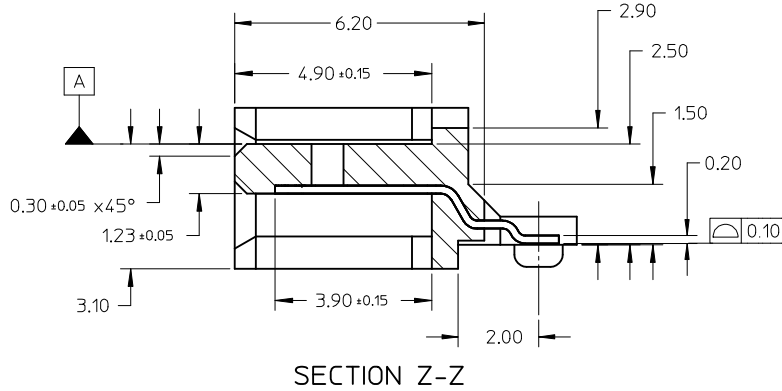
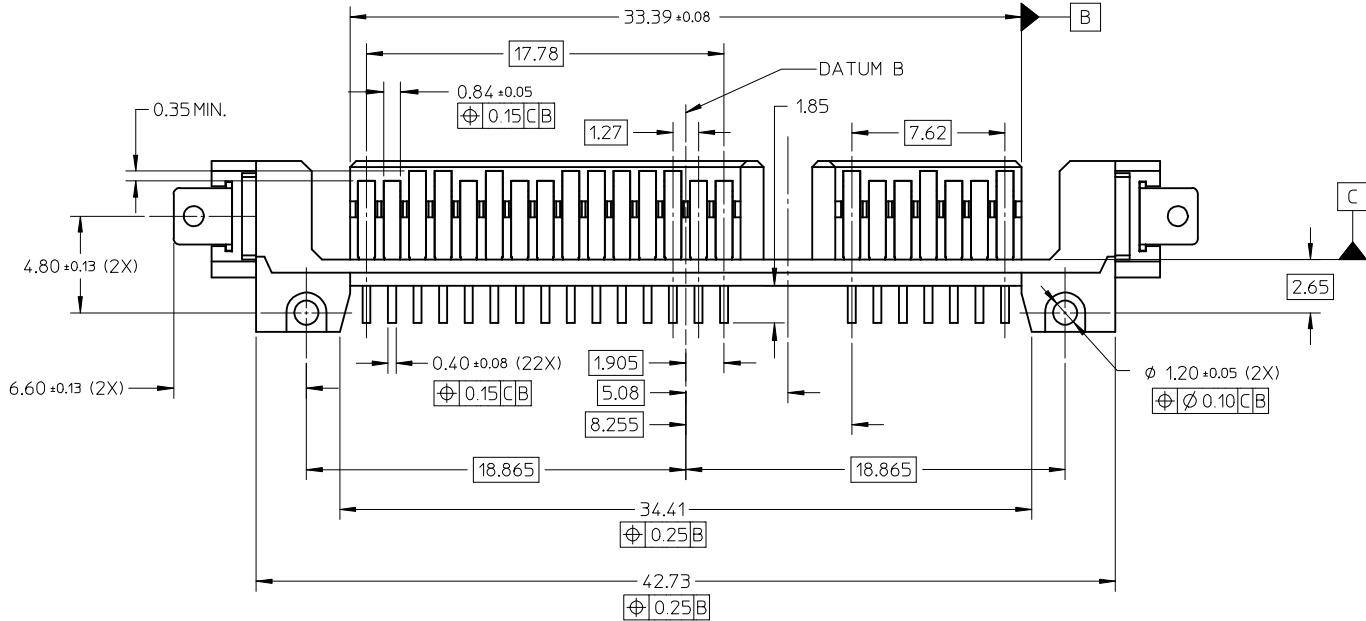
E

D

C

B

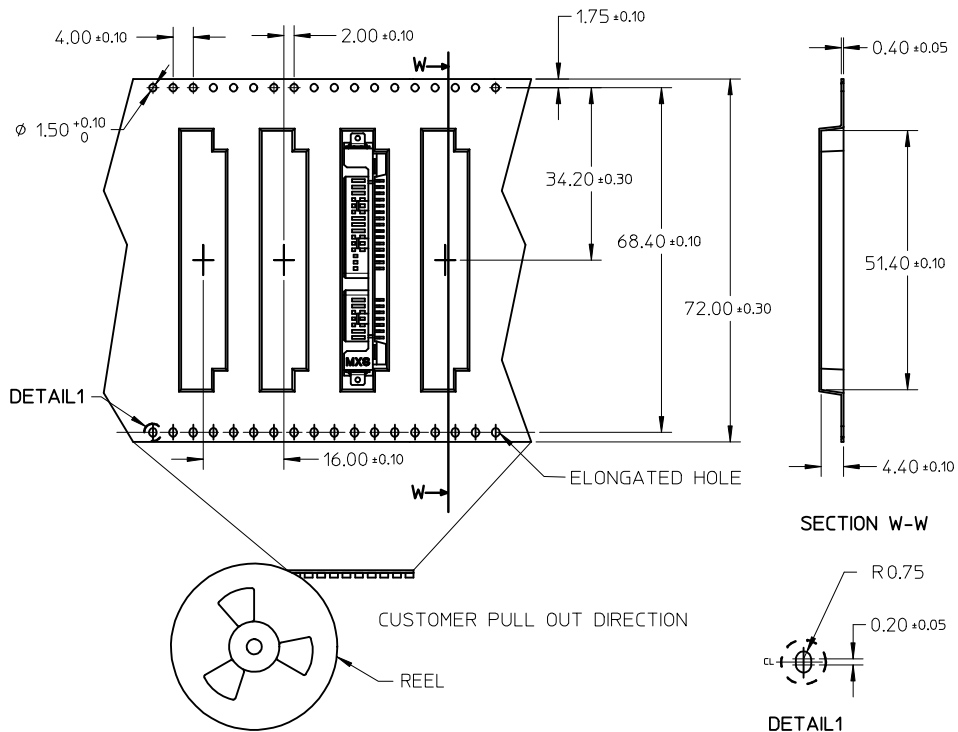
A



UPDATE NOTE 6 EC NO: S2009-0846 DRW:KHL IM CHKD:CGOH APPR:BOKOK	2009/05/20 2009/05/20 2009/05/20	QUALITY SYMBOLS ▽ = 0 ◻ = 0	GENERAL TOLERANCES (UNLESS SPECIFIED) mm INCH 4 PLACES ± --- ± --- 3 PLACES ± --- ± --- 2 PLACES ± 0.20 ± --- 1 PLACE ± --- ± --- ANGULAR ± 3 °	DIMENSION STYLE MM ONLY DRAWN BY: RSHAN CHECKED BY: KCLING APPROVED BY: SKTOH MATERIAL NO.	SCALE NTS DATE: 2002/11/18 DATE: 2002/12/18 DATE: 2002/12/18	DESIGN UNITS METRIC TITLE SERIAL ATA PLUG 2.5 INCH HDD	THIRD ANGLE PROJECTION
	B6	DESCRIPTION REV	DRAFT WHERE APPLICABLE MUST REMAIN WITHIN DIMENSIONS	SEE TABLE	MOLEX INCORPORATED DOCUMENT NO. SD-87703-002	SHEET NO. 2 OF 4	
	THIS DRAWING CONTAINS INFORMATION THAT IS PROPRIETARY TO MOLEX INCORPORATED AND SHOULD NOT BE USED WITHOUT WRITTEN PERMISSION						
	SIZE A3						

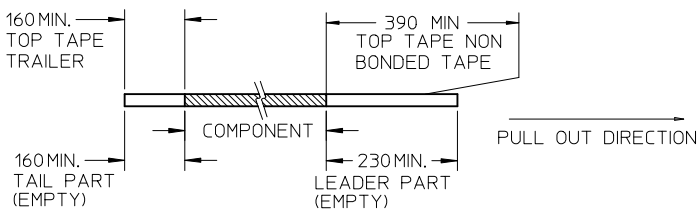
9 8 7 6 5 4 3 2 1

TAPE & REEL PACKAGING

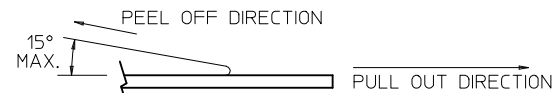


NOTES:

1. LEADER AND TRAILER TAPE

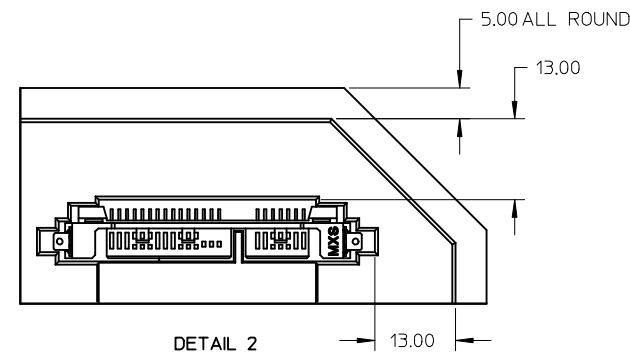
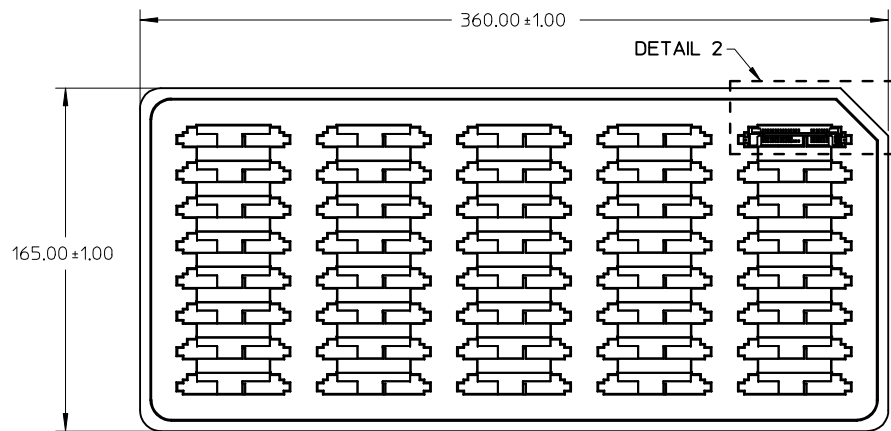


2. PEELING OFF FORCE OF THE TOP TAPE: 20 - 60gf. (PEELING DIRECTION AS SHOWN IN FOLLOWING FIGURE)



- 3. TAPE AND REEL SPECIFICATION IS AS PER EIA-481.
- 4. TAPE AND REEL QUANTITY : 850 PCS/ REEL.
- 5. THE TAPE IS TREATED FOR ANTI-STATIC.

TRAY PACKAGING



UPDATE NOTE 6 EC NO: S2009-0846 DRW:KHLIM CHKD:CGOH APPR:BOKOK 2009/05/20 2009/05/20 2009/05/20	QUALITY SYMBOLS ▽=0 ◻=0	GENERAL TOLERANCES (UNLESS SPECIFIED)		DIMENSION STYLE	SCALE	DESIGN UNITS	THIRD ANGLE PROJECTION	
				MM ONLY	NTS	METRIC		
				DRAWN BY	DATE	TITLE		
				4 PLACES	2002/11/18	SERIAL ATA PLUG 2.5 INCH HDD		
		3 PLACES		CHECKED BY	DATE			
		2 PLACES	2002/12/18	KCL ING				
		1 PLACE		APPROVED BY	DATE			
		ANGULAR ± 3 °		SKTOH	2002/12/18			
		DRAFT WHERE APPLICABLE MUST REMAIN WITHIN DIMENSIONS		MATERIAL NO.	DOCUMENT NO.	SHEET NO.		
				SEE TABLE	SD-87703-002	4 OF 4		
				SIZE	THIS DRAWING CONTAINS INFORMATION THAT IS PROPRIETARY TO MOLEX INCORPORATED AND SHOULD NOT BE USED WITHOUT WRITTEN PERMISSION			
				A3				